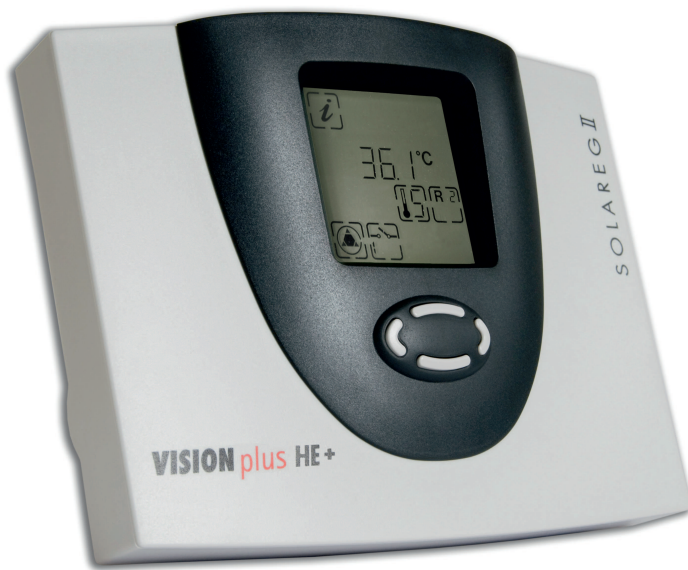


Vision plus HE+

Digital solar circuit controller

prozeda

Prozessautomation
Elektronik
Datentechnik



SOLAREG II

Flexible solar circuit controller for the complete control of solar power systems

Control of different types of solar power systems with pre-defined solar circuit layouts, integrated multi-function controller for expanding the functions of systems with flexibility.

All advantages at a glance

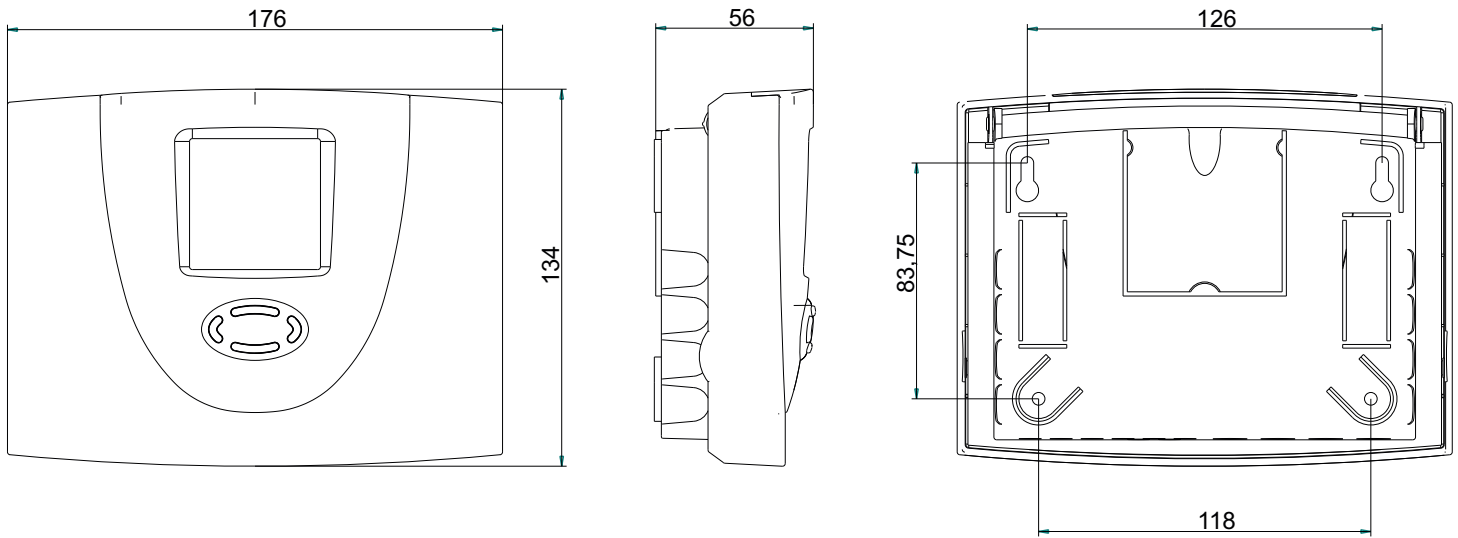
- ⊕ Comfortable and intuitive user interface with 4 operating buttons
- ⊕ 5 pre-defined solar diagrams - up to 2 collectors, up to 2 storage tanks
- ⊕ Energy yield measurements (impeller flow sensor, vortex flow sensor)
- ⊕ Intelligent pump speed control
- ⊕ "Storage tank priority" function. Configurable priorities
- ⊕ Tube collector function with adjustable time slot
- ⊕ Drain-back function
- ⊕ Holiday mode (recooling)
- ⊕ Protective functions:
 - System protection
 - Collector protection
 - Anti-freeze
 - Flow monitoring
- ⊕ Service and status messages with flashing symbols in the display
- ⊕ Manual mode
- ⊕ Parameters remain consistent even after a power outage
- ⊕ 3 outputs 230V AC
- ⊕ 2 control outputs for HE pump PWM and analog
- ⊕ 6 temperature inputs for Pt1000
- ⊕ R3 can be used as a multi-function controller, programmable

Multi-function controller:

The basic layout can be extended by multi-function controllers. The free output R3 can be assigned as a multi-function controller with the following functions:

Heating, cooling, temperature difference





Technical data

Operating voltage: AC 230 Volt, 50 Hz, -10 to +15 %

Standby consumption: 0,5 W

Outputs: Electronic semiconductor relay, 230 V AC, 50 Hz, min. 10 mA, max. 1 A, with $\cos \varphi \geq 0,9$

Control output for HE pumps:

PWM signal: 100 Hz, $V_{iL} < 0,5$ V DC, $V_{iH} > 9$ V DC, 10 mA max.

Analog signal: 0 ... +10 V DC +/- 3%, 10 mA max.

Total output of all outputs: max. 300 W

Inputs: Temperature inputs with fine-level surge protection

for PT1000 temperature sensors, measuring range: -30 °C bis +250°C

Protection: Microfuse 5 × 20 mm, 2 A/T (2 ampere, slow)

Ambient temperature: 0 to +40 °C

Storage temperature: -10 to +60 °C

Housing material: 100% recyclable ABS housing

Dimensions: L x W x D in mm 175 × 134 × 56

Protection class: IP20 according to DIN 40050, EN 60529

The SOLAREG II series

	BASIC HE+	ENERGY HE+	VISION plus HE+
Switching outputs 230 V AC	1	2	3
Electronic control outputs (PWM/analog)	1	1	2
Temperature inputs PT1000	3	4	6
Flow sensor	-	1	1
Number of collector fields	1	1	1-2
Number of storage tanks	1	1	1-2
Pre-defined solar layouts	1	1	5
Display	LCD/Icons	LCD/Icons	LCD/Icons
Multi-function controllers (MFC)	-	1	1

Prozeda GmbH
In der BÜg 5
91330 Eggolsheim
Tel +49 (0) 91 91 61 66 0
Fax +49 (0) 91 91 61 66 22

kontakt@prozeda.de
www.prozeda.de

prozeda

Our know-how for planning and installation specialists - for 25 years

1989-2014 25 years of Innovation