

ENERGY HE+

Digital solar circuit controller

prozeda

Prozessautomation
Elektronik
Datentechnik



SOLAREG II

Solar circuit controller for the complete control of solar power systems

Control of solar power systems with one pre-defined solar circuit layout, integrated multi-function controller for expanding the functions of systems with flexibility.

All advantages at a glance

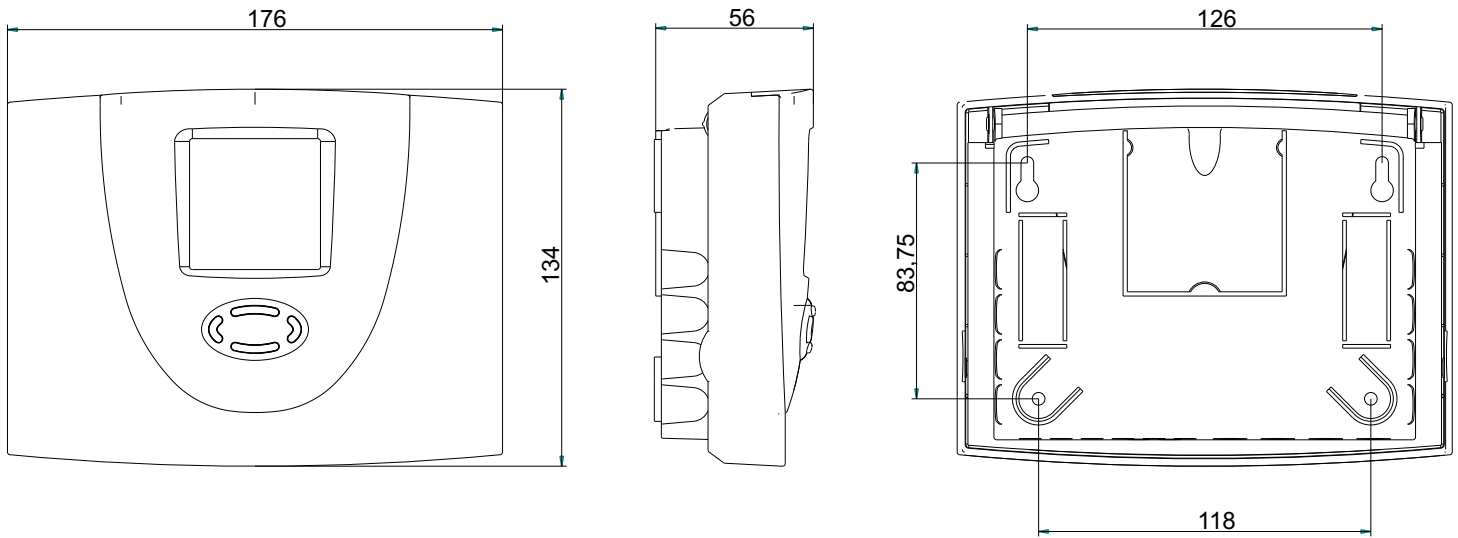
- ⊕ Comfortable and intuitive user interface with 4 operating buttons
- ⊕ 1 pre-defined solar diagram - 1 collector, 1 storage tank or swimming pool
- ⊕ Energy yield measurements (flow sensor)
- ⊕ Intelligent pump speed control
- ⊕ Tube collector function with adjustable time slot
- ⊕ Drain-back function
- ⊕ Holiday mode (recooling)
- ⊕ Protective functions:
 - System protection
 - Collector protection
 - Flow monitoring
- ⊕ Service and status messages with flashing symbols in the display
- ⊕ Manual mode
- ⊕ Parameters remain consistent even after a power outage
- ⊕ 2 outputs 230V AC
- ⊕ 1 control output for HE pump PWM and analog
- ⊕ 4 temperature inputs for Pt1000
- ⊕ R2 can be used as a multi-function controller, programmable

Multi-function controller:

The basic layout can be extended by multi-function controllers. The free output R2 can be assigned as a multi-function controller with the following functions:

Heating, cooling





Technical data

Operating voltage: AC 230 Volt, 50 Hz, -10 to +15 %

Standby consumption: 0,5 W

Outputs: Electronic semiconductor relay, 230 V AC, 50 Hz, min. 10 mA, max. 1 A, with $\cos \varphi \geq 0,9$

Control output for HE pumps:

PWM signal: 100 Hz, $V_{iL} < 0,5$ V DC, $V_{iH} > 9$ V DC, 10 mA max.

Analog signal: 0 ... +10 V DC $\pm 3\%$, 10 mA max.

Total output of all outputs: max. 300 W

Inputs: Temperature inputs with fine-level surge protection for PT1000 temperature sensors, measuring range: -30 °C bis $+250$ °C

Protection: Microfuse 5 × 20 mm, 2 A/T (2 ampere, slow)

Ambient temperature: 0 to $+40$ °C

Storage temperature: -10 to $+60$ °C

Housing material: 100 % recyclable ABS housing

Dimensions: L x W x D in mm 175 × 134 × 56

Protection class: IP20 according to DIN 40050, EN 60529

The SOLAREG II series

	BASIC HE+	ENERGY HE+	VISION plus HE+
Switching outputs 230V AC	1	2	3
Electronic control outputs (PWM/ Analog)	1	1	2
Temperature inputs PT1000	3	4	6
Flow sensor	-	1	1
Number of collector fields	1	1	1-2
Number of storage tanks	1	1	1-2
Pre-defined solar layouts	1	1	5
Display	LCD/Icons	LCD/Icons	LCD/Icons
Multi-function controllers (MFC)	-	1	1

Prozeda GmbH
 In der BÜg 5
 91330 Eggolsheim
 Tel +49 (0) 91 91 61 66 0
 Fax +49 (0) 91 91 61 66 22

kontakt@prozeda.de
 www.prozeda.de

prozeda

Our know-how for planning and installation specialists - for 25 years

1989-2014 25 years of Innovation