

Basic HE

Digital solar circuit controller

prozeda

Prozessautomation
Elektronik
Datentechnik



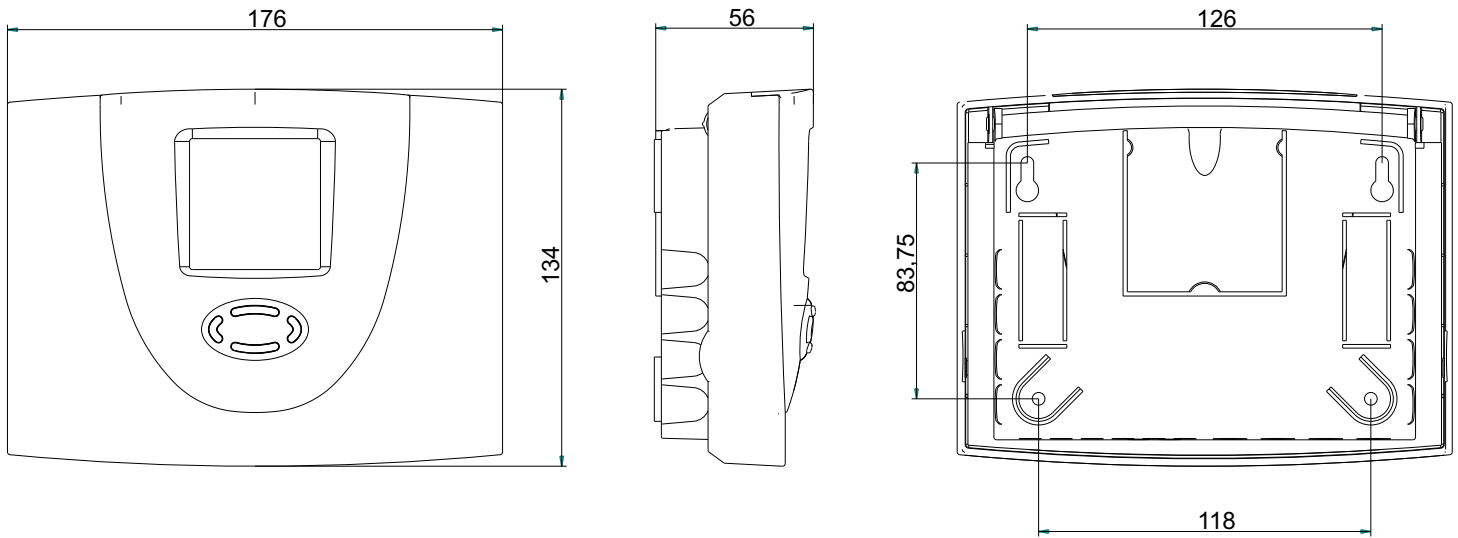
SOLAREG II

Solar circuit controller for the complete control of solar power systems

Control of solar power systems with a solar circuit.

All advantages at a glance

- ⊕ Comfortable and intuitive user interface with 4 operating buttons
- ⊕ 1 pre-defined solar diagram - 1 collector, 1 storage tank or swimming pool
- ⊕ Intelligent pump speed control
- ⊕ Heat source minimum temperature
- ⊕ Holiday mode (recooling)
- ⊕ Protective functions:
 - System protection
 - Collector protection
 - Flow monitoring
- ⊕ Service and status messages with flashing symbols in the display
- ⊕ Manual mode
- ⊕ Parameters remain consistent even after a power outage
- ⊕ 1 output 230V AC (standard pumps are not speed-controlled)
- ⊕ 1 control output for HE pump PWM
- ⊕ temperature inputs for Pt1000



Technical data

Operating voltage: AC 230 Volt, 50 Hz, -10 to +15 %

Power consumption: minimal/standby: 0,5 W; nominal: 0,7 W

Output: Relay, 230 V AC, 50 Hz,
min. 10 mA, max. 1 A, with $\cos \varphi \geq 0,9$

Control output for HE pumps:

PWM signal: 100 Hz, $V_{iL} < 0,5$ V DC, $V_{iH} > 9$ V DC, 10 mA max.

Total output of all outputs: max. 300 W

Inputs: Temperature inputs with fine-level surge protection

for PT 1000 temperature sensor, measuring range:
-30 °C bis +250°C

Protection: Microfuse 5 × 20 mm, 2 A/T (2 ampere, slow)

Ambient temperature: 0 to +40 °C

Storage temperature: -10 to +60 °C

Housing material: 100 % recyclable ABS housing

Dimensions: L x W x D in mm 175 × 134 × 56

Protection class: IP20 according to DIN 40050, EN 60529

The SOLAREG II series

	BASIC HE	ENERGY HE
Switching outputs 230 V AC	1	2
Electronic control outputs (PWM)	1	1
Temperature inputs PT1000	3	4
Flow sensor	-	1
Number of collector fields	1	1
Number of storage tanks	1	1
Pre-defined solar layouts	1	1
Display	LCD/Icons	LCD/Icons
Multi-function controllers (MFC)	-	1

Prozeda GmbH
In der Büg 5
91330 Eggolsheim
Tel +49 (0) 91 91 61 66 0
Fax +49 (0) 91 91 61 66 22

kontakt@prozeda.de
www.prozeda.de

prozeda

Our know-how for planning and installation specialists - for 25 years

1989-2014 25 years of Innovation